

WamBam

Fun Name. Serious Fence.

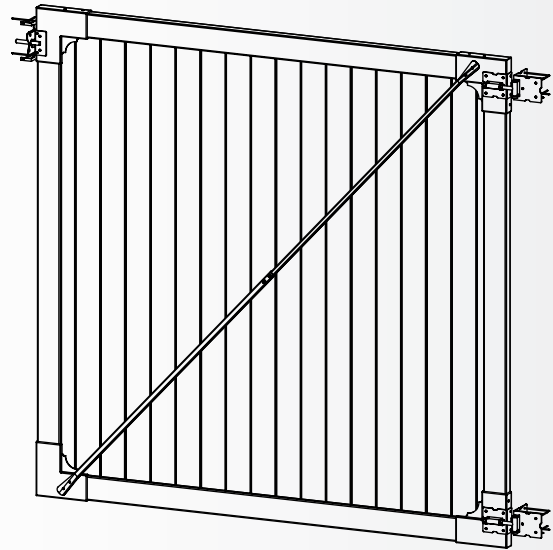
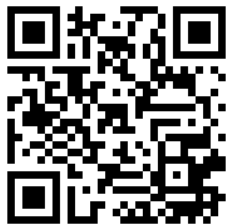
6' WIDE PRIVACY VINYL GATE (ADJUSTABLE WIDTH)

ASSEMBLY INSTRUCTIONS VG26300

60 MIN

Approximate assembly time

*Want to see a video on how to
assemble this product?
Scan the QR code*



GENERAL INFORMATION



IMPORTANT

- ✦ Check the inside of the larger pieces in your box for other materials packed inside.
- ✦ When assembling components, place on a non-abrasive surface (i.e. shipping box) to avoid scratching.
- ✦ We recommend an area approximately 5'x 8' for unobstructed assembling.
- ✦ You should not need to use excessive force when assembling components.

MISSING OR DAMAGED PARTS?

VISIT OUR WEBSITE FIRST, SO WE CAN HELP YOU RIGHT AWAY!

Although great care has been taken to ensure proper packaging and handling of this product, occasionally problems occur. If you discover any missing, damaged or defective parts, please visit our website to order replacement parts. If you experience any further trouble with your product, please contact our customer care department.

 nychgroup.com/parts

 hmmm@wambamfence.com

 **704-892-5222 / 877-778-5733**

Customer service agents are available to take calls weekdays from 9am-5pm EST. If you call outside of business hours, please leave a voicemail.

To help you quickly and accurately, please have reference item number **VG26300** and the specific part name which can be found on page 5. It is helpful if you can provide the batch lot which is a stamped number inside the box.

NEED ASSEMBLY HELP?

Please give us a call at 704-892-5222 / 877-778-5733.

If you are having problems with the assembly or installation of this product, we are happy to assist you with the process.

NEED TO RETURN?

If for some reason you need to return this product, please allow us to help resolve your issues first. If you still decide to return the product, **you will need to initiate the return from the company you originally purchased from.**

GENERAL INFORMATION

1. Read over fence instructions first.

Your gate and fence will work better together if you first take the time to read and understand your fence.

2. Pre-Assemble the gate frame.

Please do not screw the gate frame together until you have temporarily assembled the gate frame. In other words, do a dry run first. This will ensure:

1. That you have everything necessary to complete the gate.
2. That you will have assembled the gate frame in the correct order.
3. All of the pieces fit and function properly.
4. The gate height and width are similar to the measurements shown on page one.

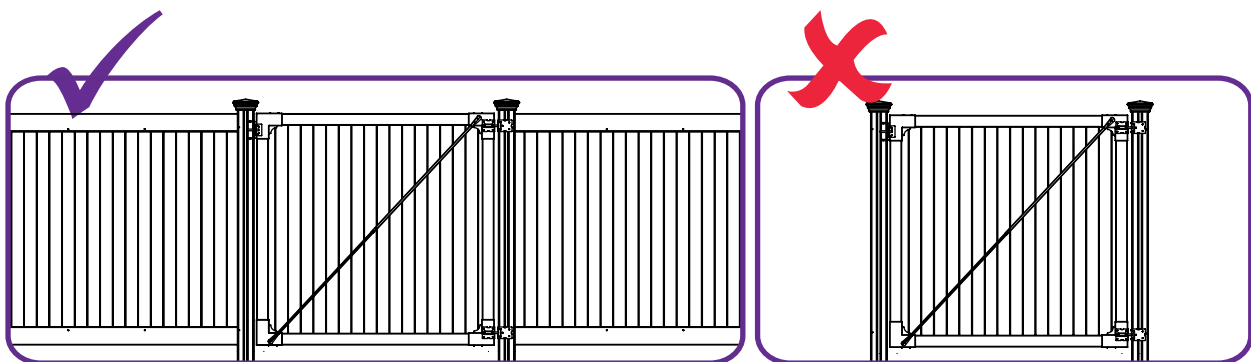
It's easier to troubleshoot when things are not screwed together. After you assemble your gate correctly, please disassemble as necessary, and use the 1¼" self-drilling stainless steel screws to permanently assemble the gate.

3. Install your gate posts before your fence posts.

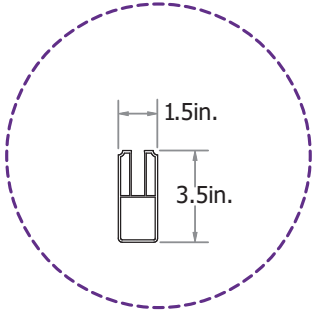
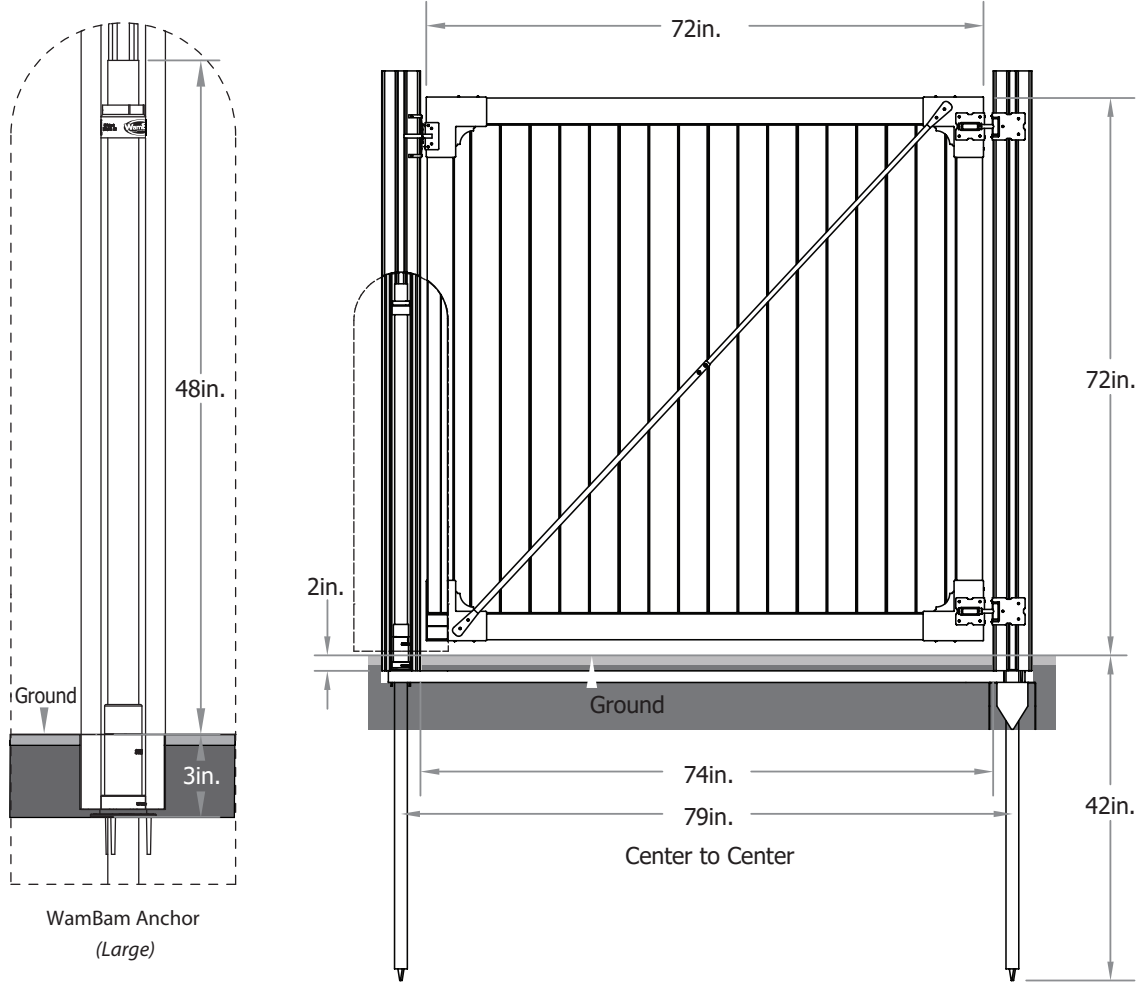
Your fence panels will be more forgiving for a custom fit than your gate. Position and install your gate posts before you do anything else.

4. Do not hang your gate system off a single non-supported post.

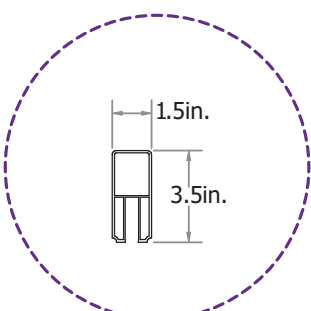
Your gate will perform better and last longer if your hinge post is connected to a panel of fence that is connected to another post. This way, the weight strain will be transferred onto two posts versus just one. Installing fence panels on both sides of your gate is ideal in all situations. If this is not possible because of space restrictions, please contact us for alternative solutions.



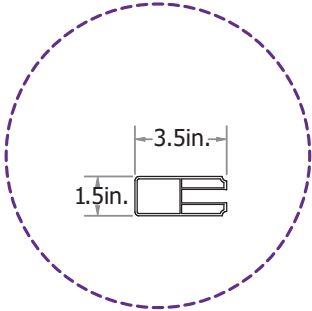
DETAILED PRODUCT DIMENSIONS AND SPECIFICATIONS



Top Rail



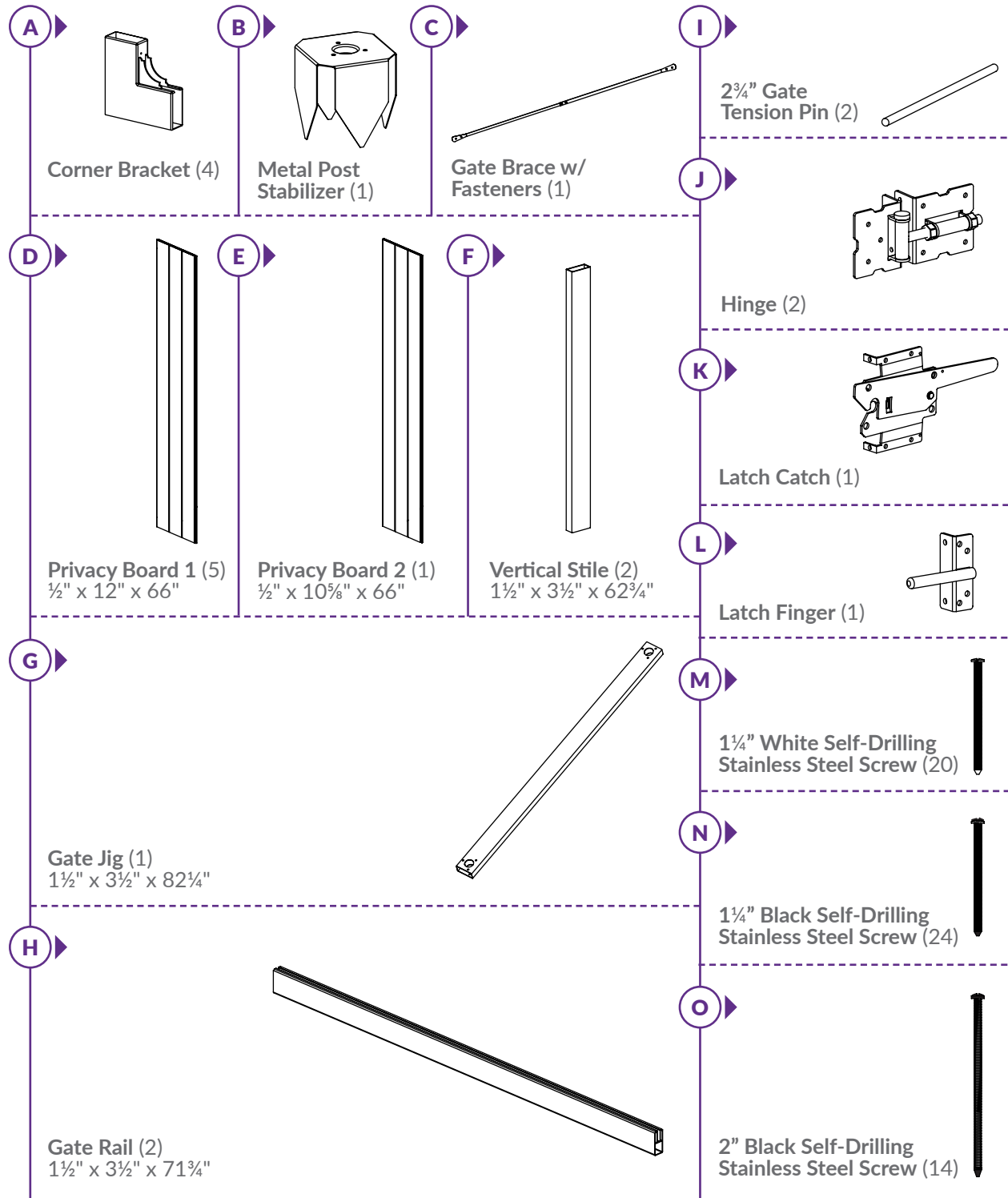
Bottom Rail



Vertical Stile

.090in. wall thickness

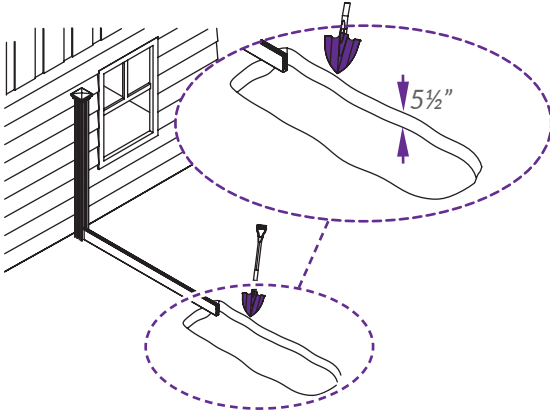
STEP 1: LAY OUT MATERIALS



STEP 2: INSTALL GATE JIG, POST ANCHORS, AND POSTS

STEP 2.1

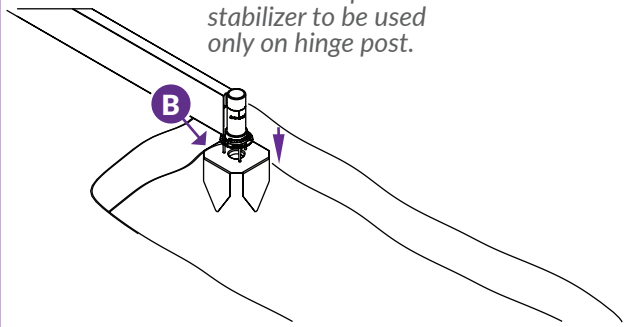
► Identify the location of your gate. Dig a trench 60" long x 6" wide x 5½" deep.



STEP 2.2

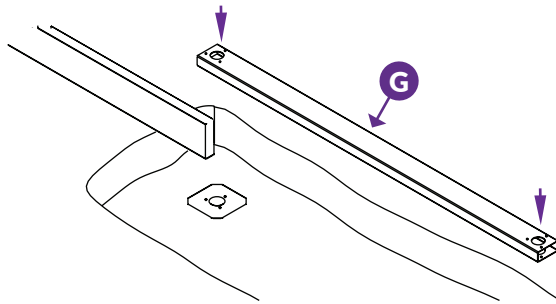
► Identify the location of the Metal Post Stabilizer (B) and pound it into the ground. Temporarily place the anchor positioner into the metal post stabilizer and determine position.

Note: Metal post stabilizer to be used only on hinge post.



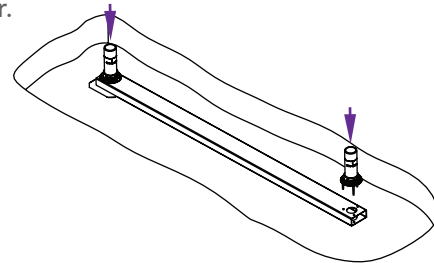
STEP 2.3

► Place Gate Jig (G) over the metal post stabilizer.



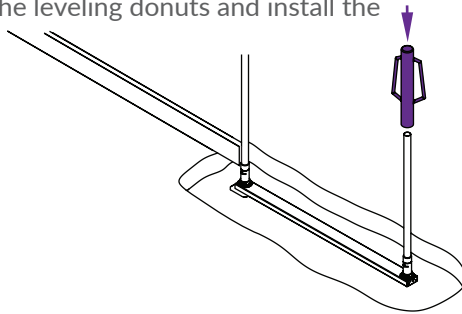
STEP 2.4

► Place the anchor positioners into gate jig. The pegs on the bottom of the anchor positioners will insert into both the gate jig and the metal post stabilizer.



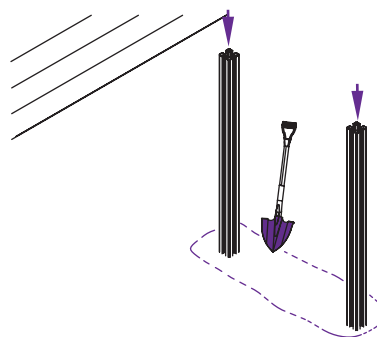
STEP 2.5

► Pound your post anchors into place. See fence instructions if necessary for more information on how to install anchors. Adjust the leveling donuts and install the posts.

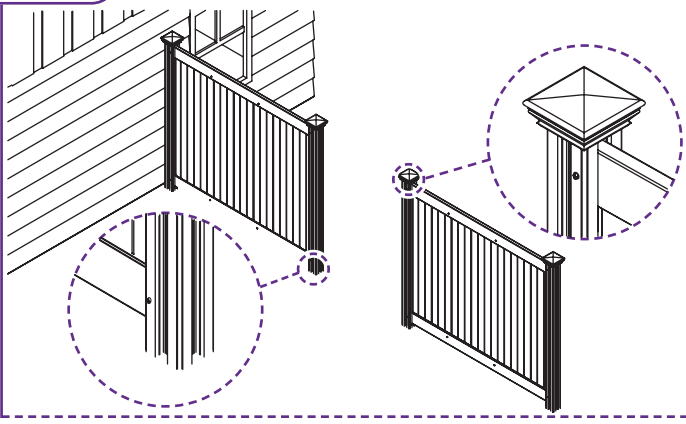


STEP 2.6

► Backfill excavated dirt over gate jig.



STEP 2.7

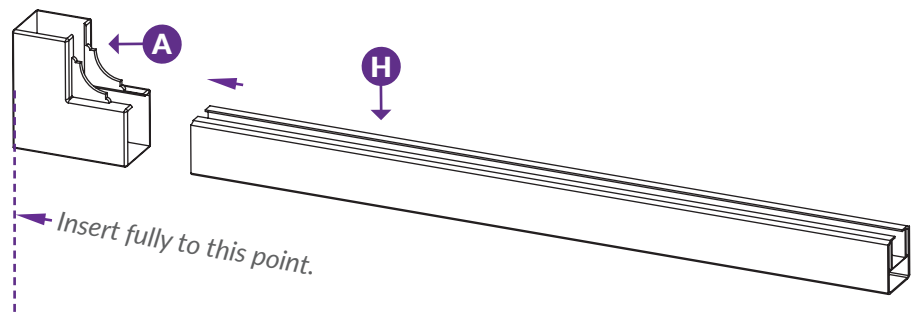


▶ Make sure to fasten the fence panels before attaching the gate.

STEP 3: ASSEMBLE THE GATE FRAME BOTTOM AND SIDES

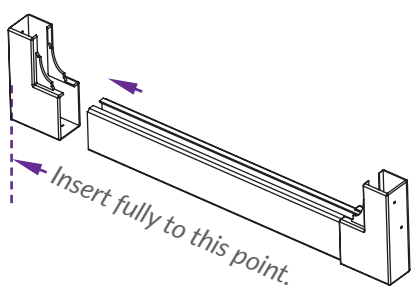
STEP 3.1

▶ Insert a Gate Rail (H) until it bottoms out inside Corner Bracket (A).



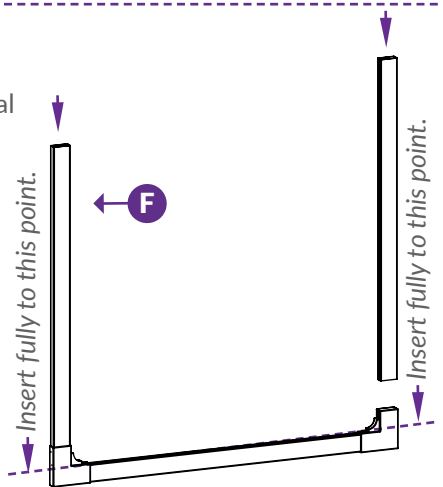
STEP 3.2

▶ Insert the gate rail until it bottoms out inside the opposite corner bracket.



STEP 3.3

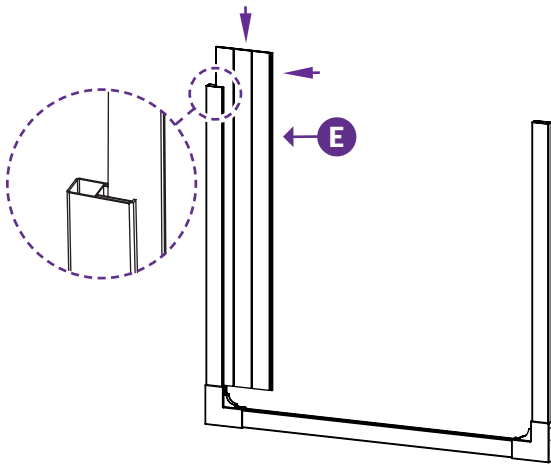
▶ Insert Vertical Stiles (F) until they hit the gate rail.



STEP 4: INSERT PRIVACY BOARDS

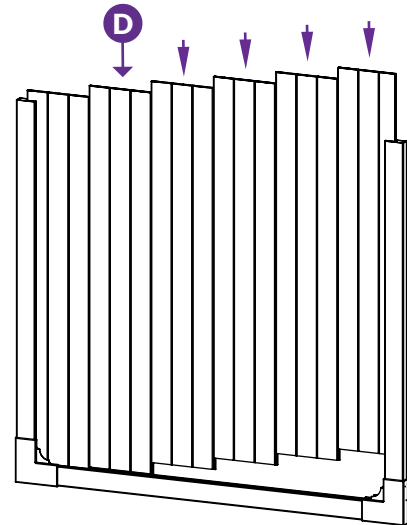
STEP 4.1

▶ Insert the tongue and groove of Privacy Board 2 (E) tightly into the vertical stile.



STEP 4.2

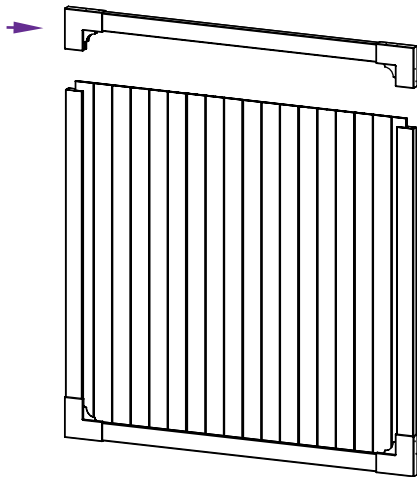
▶ Privacy Boards 1 (D) should bottom out inside the gate rail.



STEP 5: ASSEMBLE GATE FRAME TOP

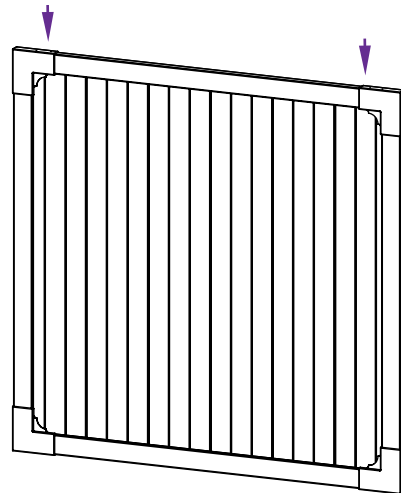
STEP 5.1

▶ Insert the other gate rail all the way until they bottom out inside the corner brackets.



STEP 5.2

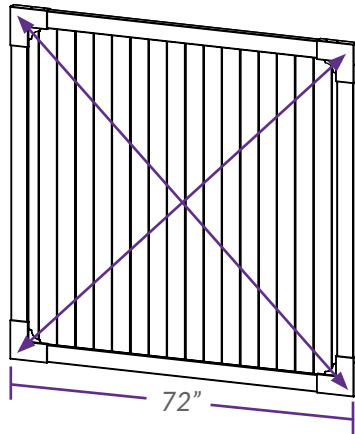
▶ Slide the top gate rail and corner brackets over the privacy boards and vertical stiles.



STEP 6: FASTEN GATE BRACKETS

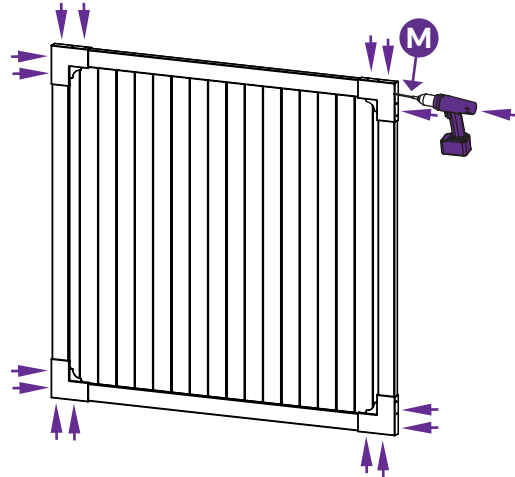
STEP 6.1

► To ensure your gate is square, the corner to-corner measurement must be the same, and the width of the gate should be 72".



STEP 6.2

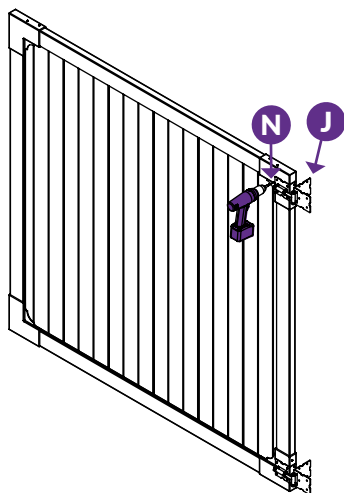
► Fasten together using (16) 1 ¼" White Self-Drilling Stainless Steel Screws (M).



STEP 7: ATTACH GATE HARDWARE

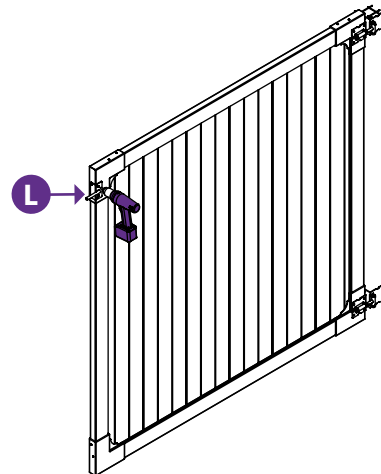
STEP 7.1

► Fasten the Hinges (J) onto the brackets with (6) 1 ¼" Black Self-Drilling Stainless Steel Screws (N) per hinge.



STEP 7.2

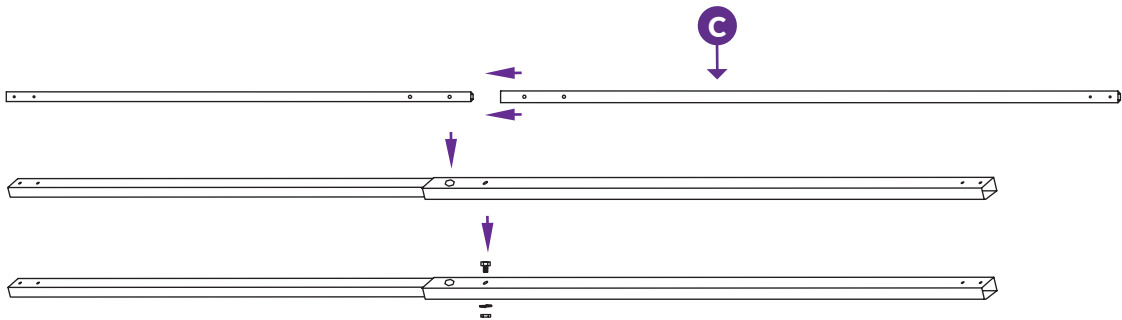
► Fasten the Latch Finger (L) onto the corner bracket with (6) 1 ¼" black self-drilling stainless screws.



STEP 8: ASSEMBLE AND FASTEN GATE BRACE

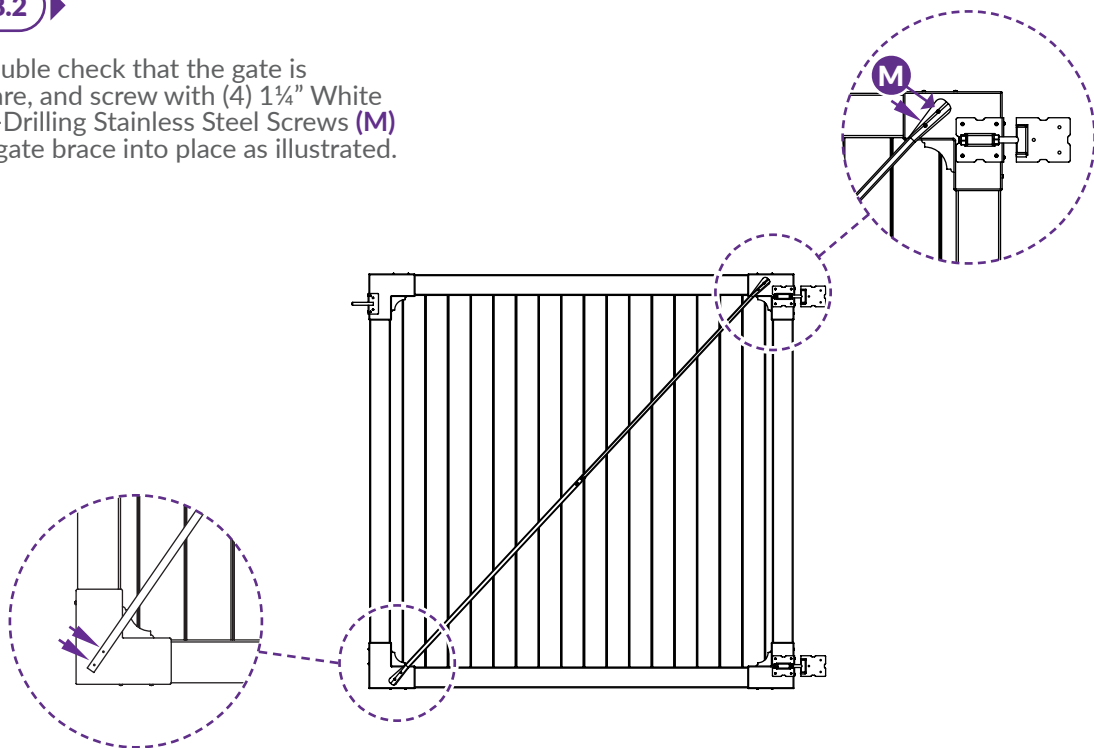
STEP 8.1

▶ Assemble Gate Brace (C) by sliding the larger square tube over the smaller square tube. Align holes and install included hardware.



STEP 8.2

▶ Double check that the gate is square, and screw with (4) 1 1/4" White Self-Drilling Stainless Steel Screws (M) the gate brace into place as illustrated.

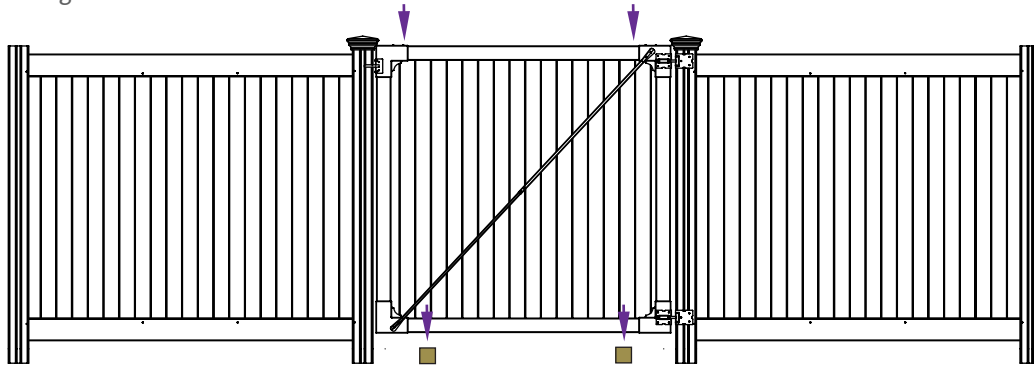


STEP 9: ALIGN GATE AND SECURE HINGES TO POST

STEP 9.1

- ▶ Align gate to horizontal fence rails.

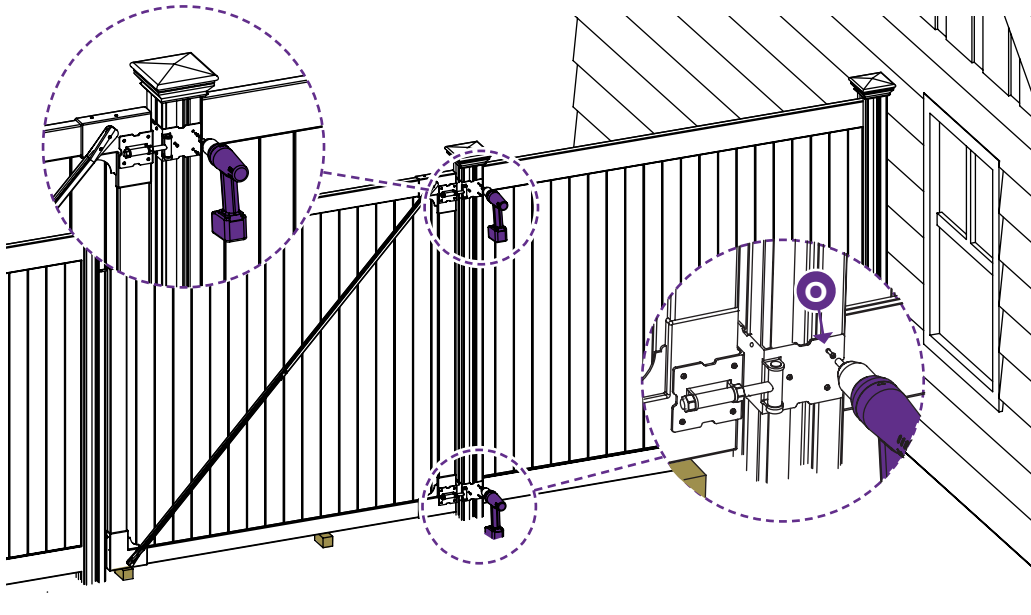
Note: Both fence & gate horizontal rail spacing can be adjusted freely to lower heights.



STEP 9.2A

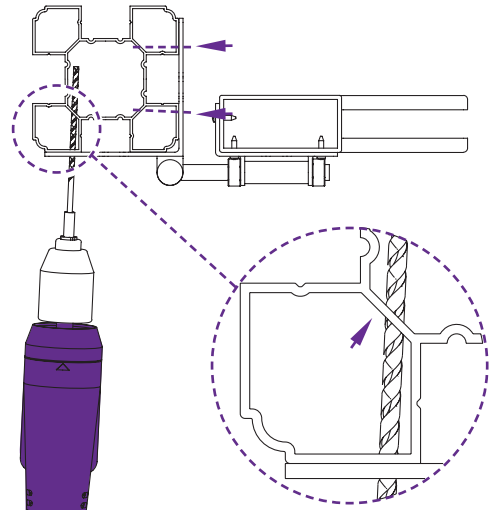
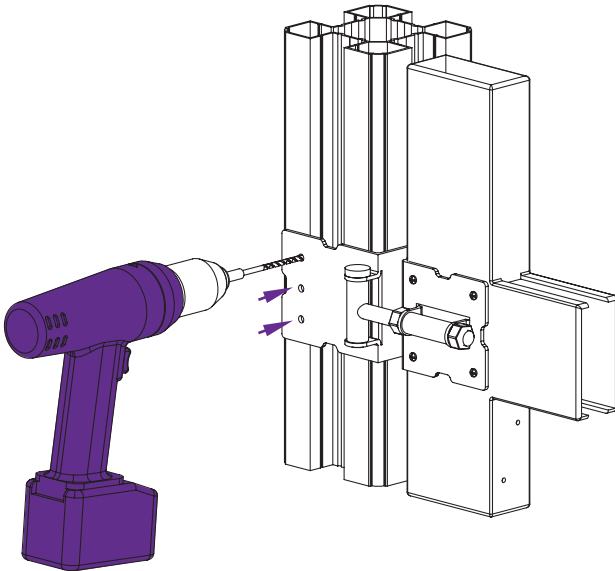
- ▶ Fasten hinges to posts using (7) 2" Black Self-Drilling Stainless Steel Screws (O) per hinge.

Note: See next page on how to position screws on the post side of the hinge.



STEP 9.2B

► **How to position the screws on the post side of the hinge:** Using a 1/8" drill bit, pre-drill the holes for hinge screws as illustrated. Angle your drill slightly as illustrated.

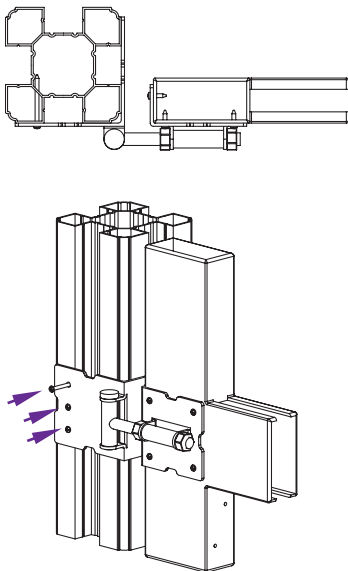


Top View

Note: Angle your drill to pierce into angled portion of post as illustrated.

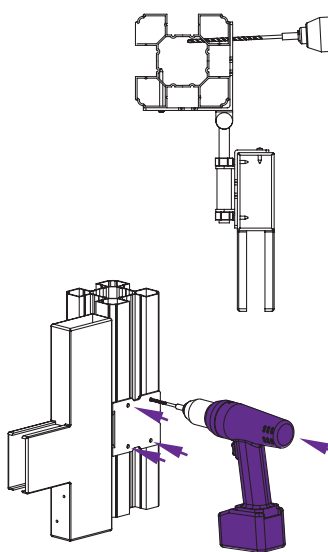
STEP 9.2C

► Fasten (3) 2" black stainless steel screws through the drilled holes. Repeat steps 9.2B and 9.2C for the second hinge.



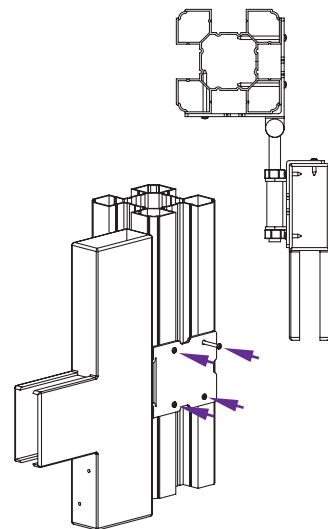
STEP 9.2D

► Swing the gate open and pre-drill four more holes on the inside faces of the post for the hinge screws as illustrated.



STEP 9.2E

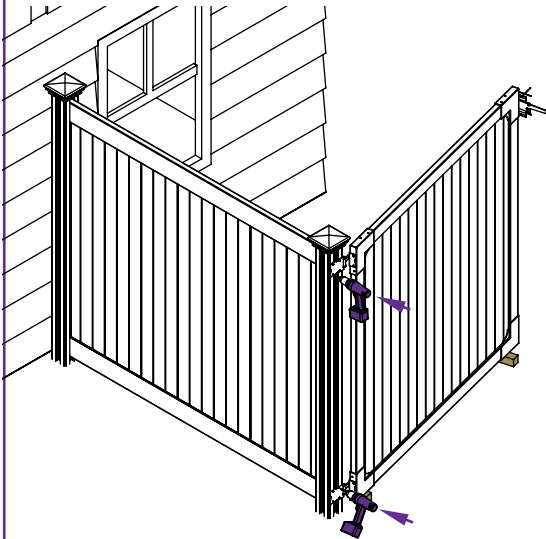
► Fasten (4) 2" black stainless steel screws through the drilled holes. Repeat steps 9.2D and 9.2E for the second hinge.



STEP 10: LEVEL GATE AND ADJUST HINGES

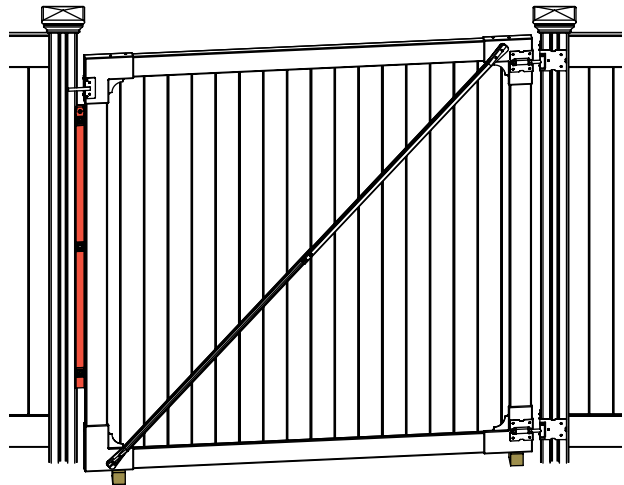
STEP 10.1 ▶

- ▶ Fasten gate hinges.



STEP 10.2 ▶

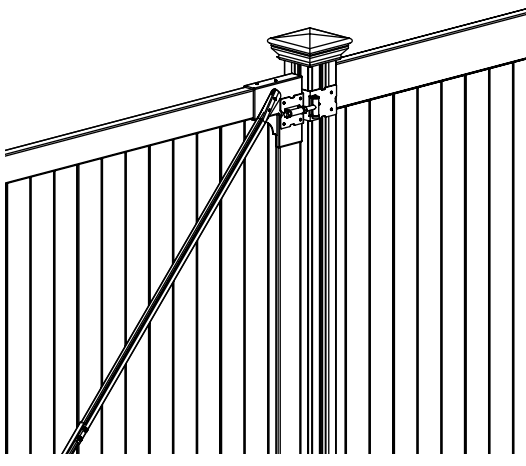
- ▶ Check for level, fit and function to latching post.



STEP 10.3 ▶

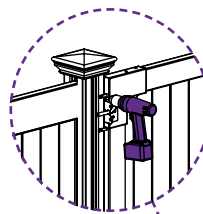
- ▶ Hinges can be adjusted moderately to bring gate into level alignment with post.

Note: Adjust the spring tension in gates as necessary. Use the included 4" Gate Tension Pin (I).

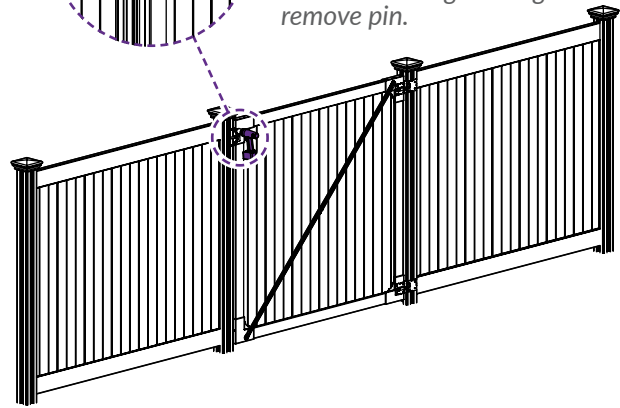


STEP 10.4 ▶

- ▶ Latch is designed for left and right hand applications. Temporarily remove the spring, bolt and reverse paddle portion as necessary.



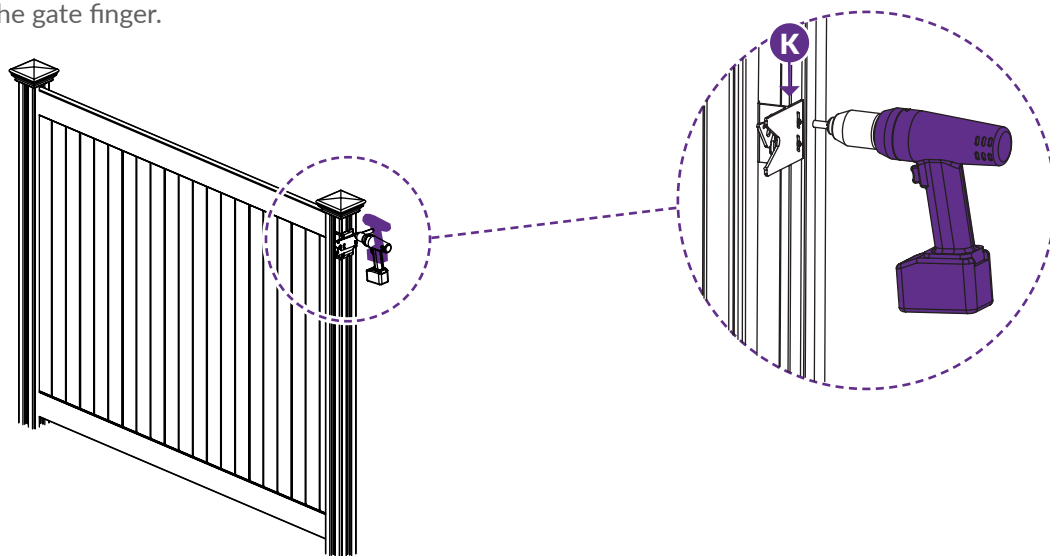
Note: To set the tension on the gate hinge, insert the 4" gate tension pin into one of the holes on hinge and rotate it to release tension on the gate hinge to remove pin.



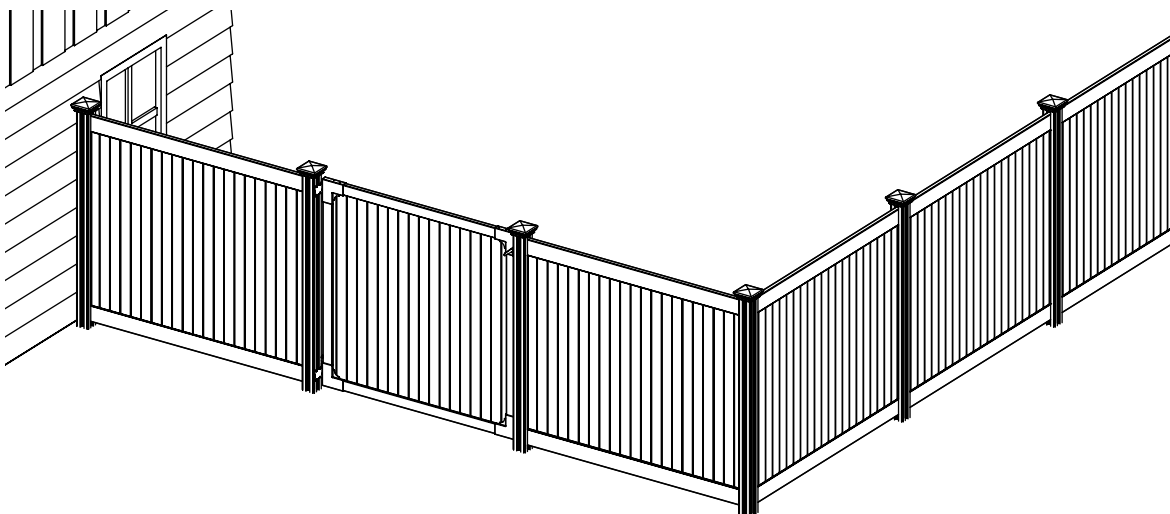
STEP 11: INSTALL LATCH CATCH

STEP 11.1 ▶

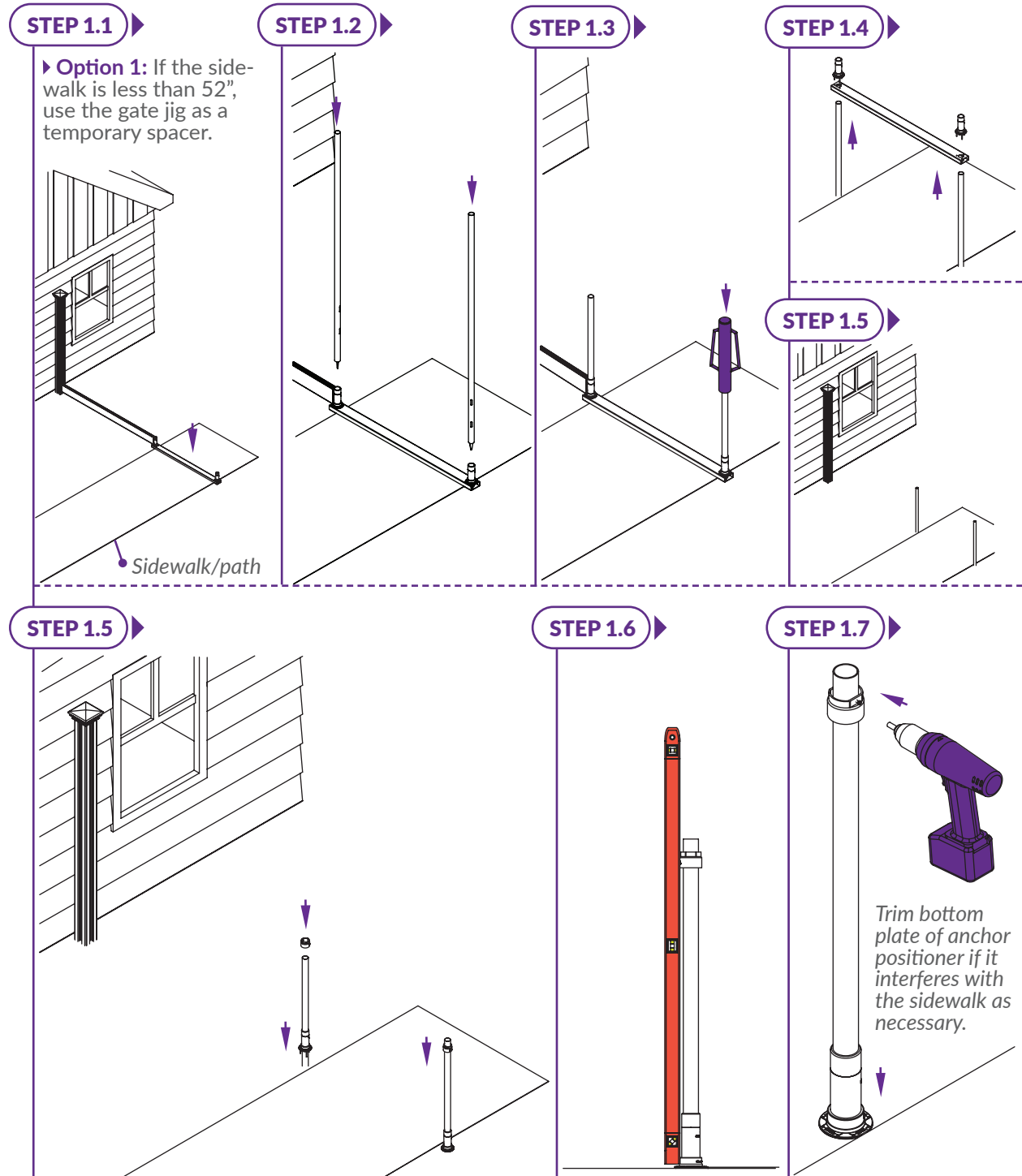
▶ Align and fasten the Latch Catch (K) using (6) 1 ¼" black stainless steel screws to fit and function with the gate finger.



▶ Congratulations! You did it! Go grab a beverage of your choice, admire your handiwork, and show us what you got by entering our annual photo contest!



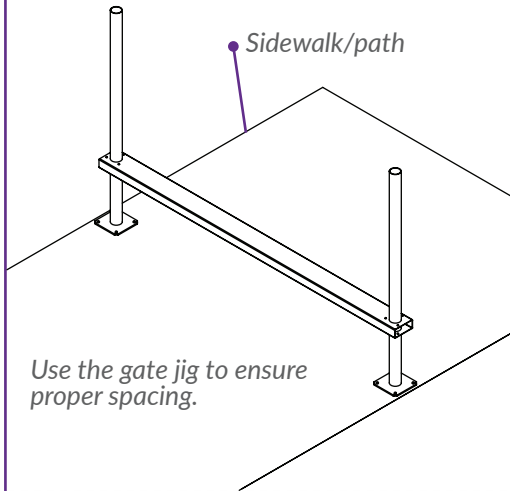
ALTERNATIVE APPLICATION: INSTALL OVER A SIDEWALK OR PATH



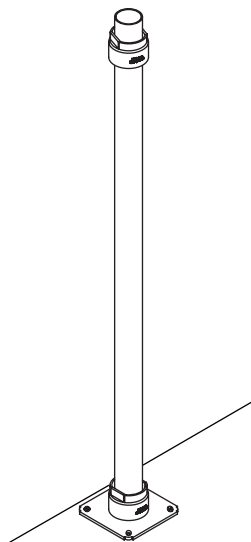
ALTERNATIVE APPLICATION: INSTALL OVER A SIDEWALK OR PATH

STEP 2.1

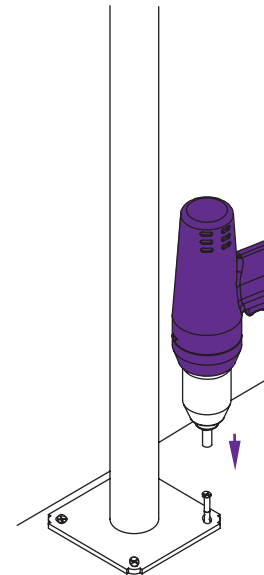
► **Option 2:** If the sidewalk is wider than 52", use Surface Mounts (purchase separately).



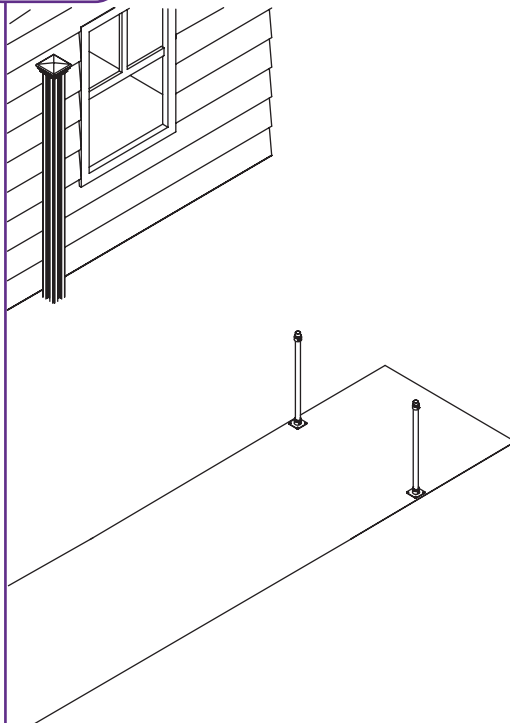
STEP 2.2



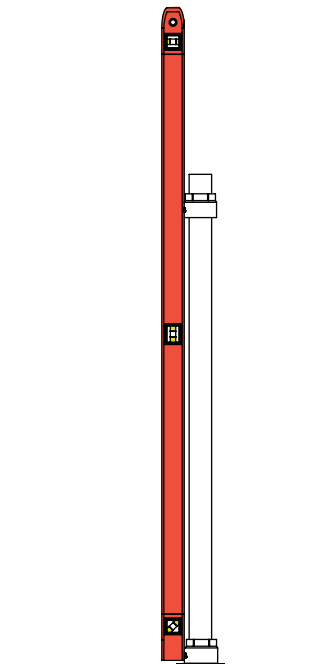
STEP 2.3



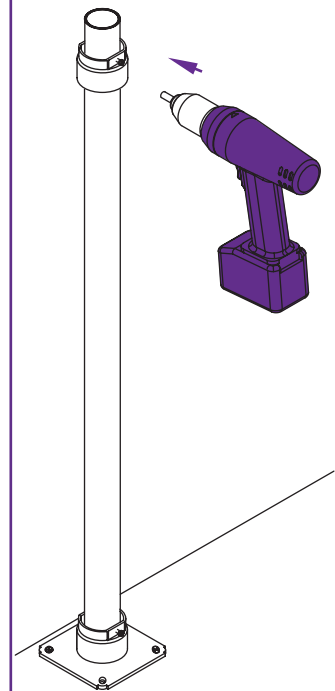
STEP 2.4



STEP 2.5



STEP 2.6



WamBam

Fun Name. Serious Fence.



6935 Reames Rd. Ste. K.
Charlotte, NC 28216



hmmm@wambamfence.com

704-892-5222
877-778-5733



WWW.WAMBAMFENCE.COM